

MANUAL



Volt Meter Set VMS 023

For Electro Field Meter EFM 023 or EFM 022

Product Description

In combination with the Volt Meter Set VMS 023 the EFM 023 becomes a Walking-Test-Monitor to make a walking test according to EN 61340-4-1 and EOS/ESD S.3.1.

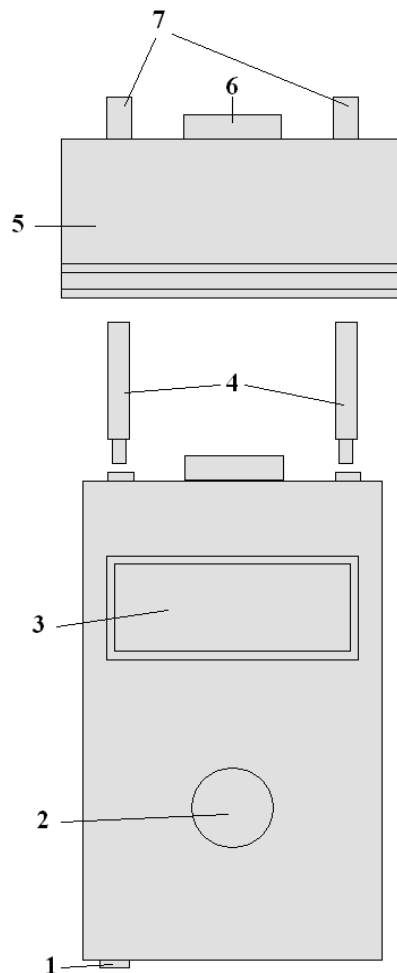
Together with the Voltage Measuring Head MK 023 and the Field Meter EFM 023 (022) you get a voltage meter with an impedance of 10^{16} Ohm.

You can measure charges up to 4kV. Select the distance of 1cm on the EFM to display the right values.

Important

Please read the safety instructions in the Manual of the EFM 023 (022)

Legend



- | | |
|---------------------------------|-------------------------------|
| 1 Grounding socket | 6 voltage Input socket |
| 2 «function/on» Button | 7 Fixing screws |
| 3 EFM 023 Display | |
| 4 Metal spacers | |
| 5 Voltage Measuring Head | |

Specifications

Voltage Measuring Head

Dimensions (L x B x H):	80mm x 40mm x 37mm
Weight :	80g
Input Voltage DC:	max. 4kV

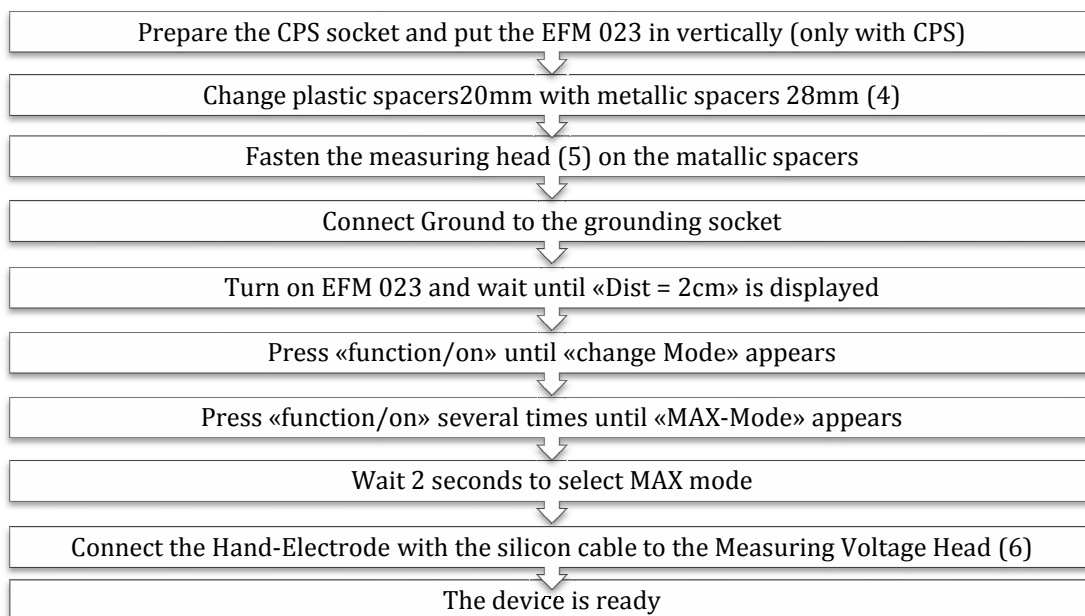
Hand electrode

Dimensions (L x d):	75mm x d25mm
Weight :	100gr
Surface :	nickel-plated

Operating instructions

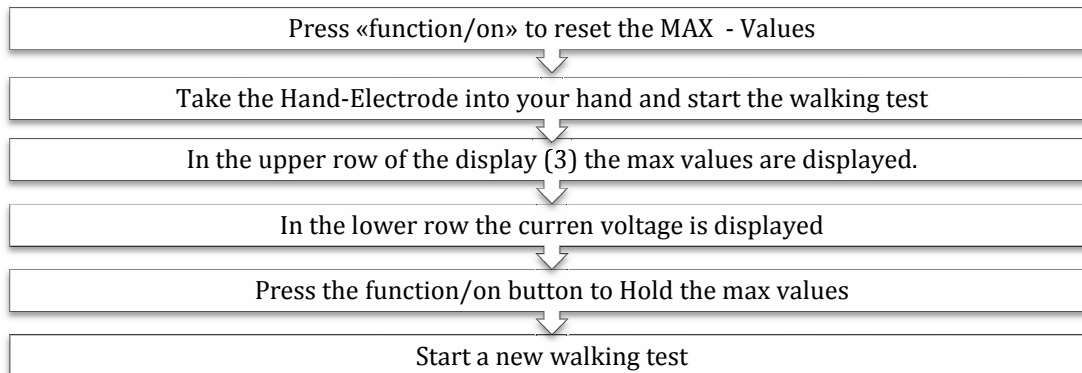
Preparation of the device

To set the device up the following steps are necessary:



Test procedure

To make a walking test do the following points:



By using an EFM 023 with the A/D Converter UAC 110 and a PC, you can write and save the results. You also can display a chart on the PC.

Parts included :

VMS 023

- Voltage measuring Head MK 023
- Hand-Electrode
- Silicon cable 2m with Banana plugs

OPTIONAL

UAC 110

